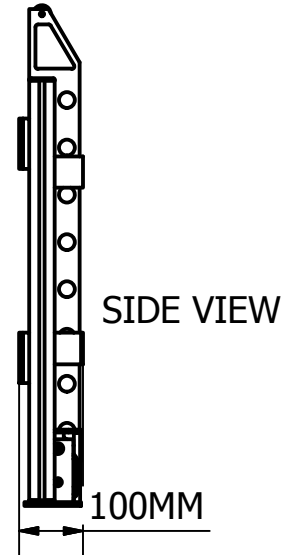
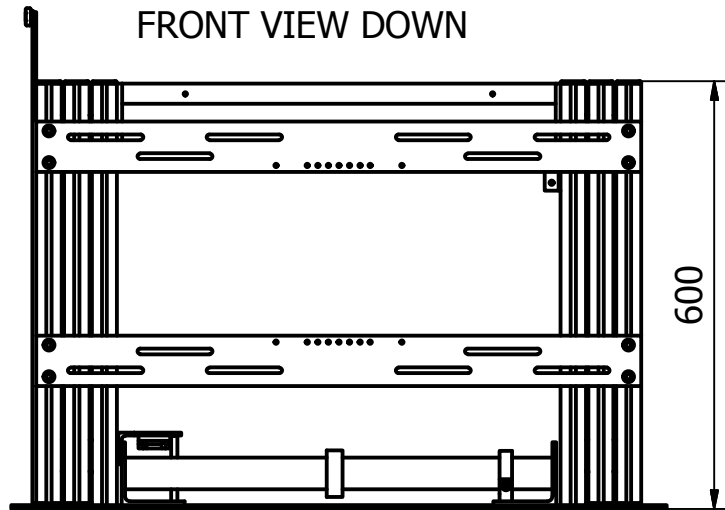
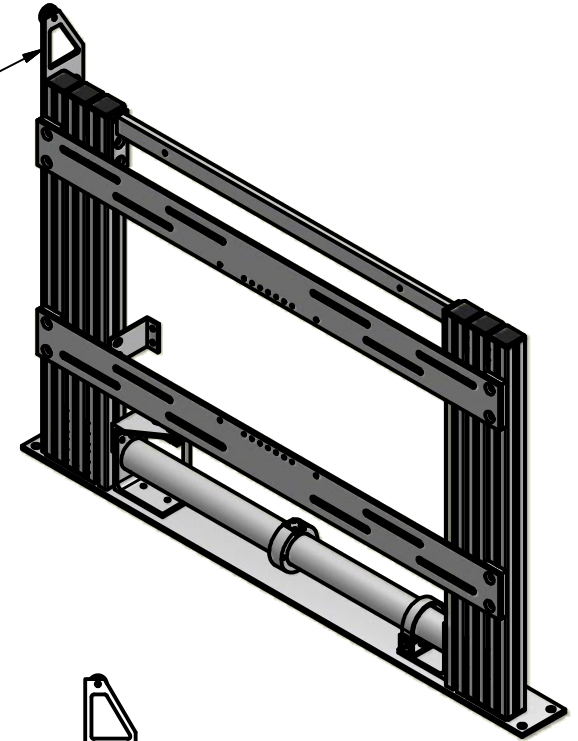


DOOR OPENER
IS ADJUSTABLE

1461150



SCREEN TECHNICS www.screen technics.com.au
Ph: 612 4869 2100
Email: info@screen technics.com.au

The Concept, Design and Details in this drawing are the property of Screen Technics Pty Ltd with whom the copyright resides. They may not be reproduced without written permission of Screen Technics Pty Ltd.

Designed By
Shane Collins
Approved By

PLASMA LIFT VERTICAL UP

Date
17/07/2008

Part Number

Rev

Sheet
1 / 1