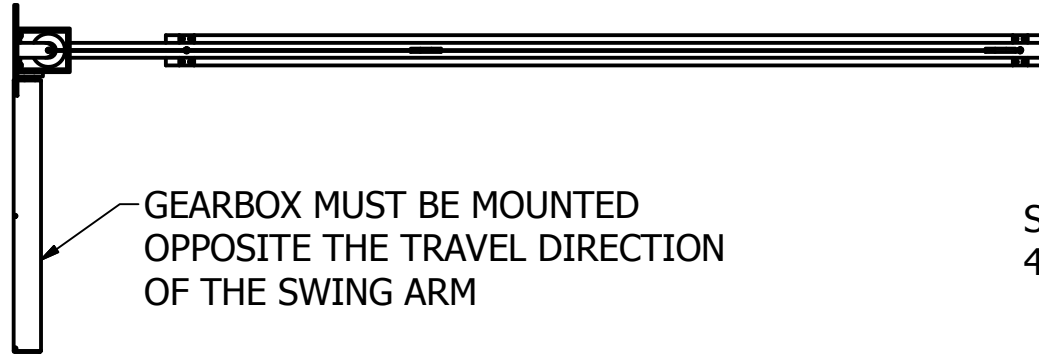


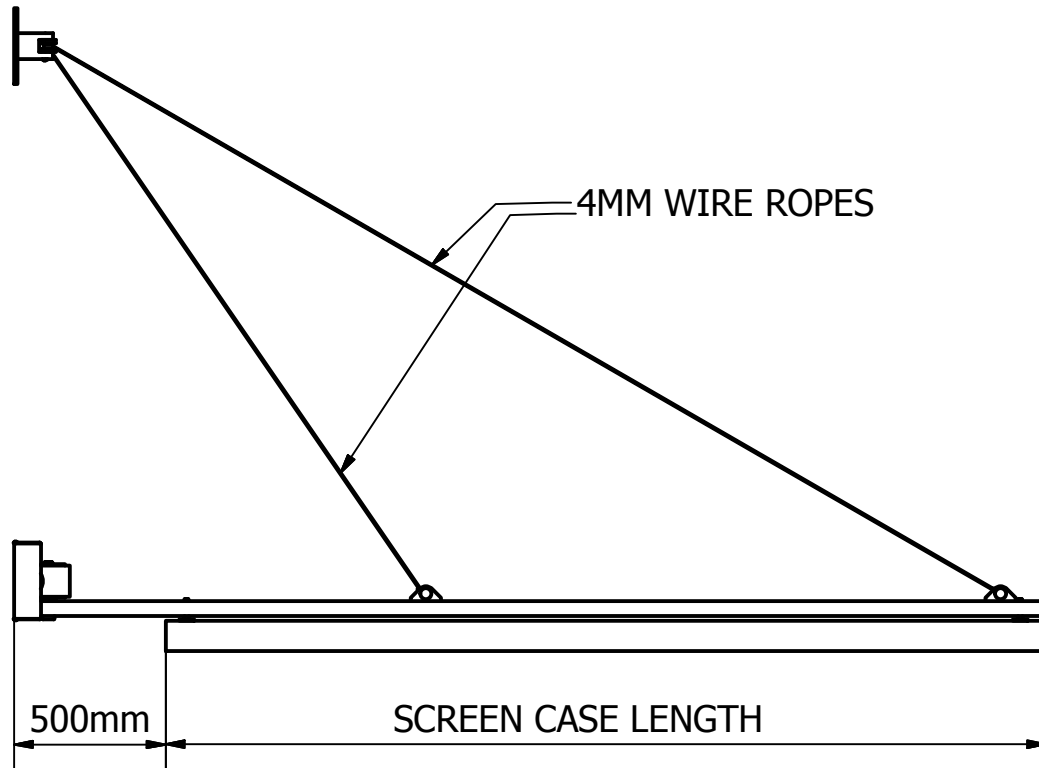
TOP VIEW



TOP MOUNT

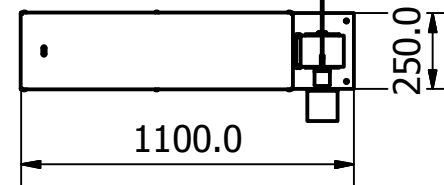
SWINGOUT GEARBOX MOTOR
40:1 RATIO TYPE 063

SCREEN BOX



FRONT VIEW

END VIEW



Designed By
S COLLINS
Approved By

INTERFIT MOTORISED
SWING ARM

The Concept, Design and Details in this drawing are the property of Screen Technics Pty Ltd with whom the copyright resides. They may not be reproduced without written permission of Screen Technics Pty Ltd.

Date
7/12/2009

Part Number

Rev

Sheet
1 / 1