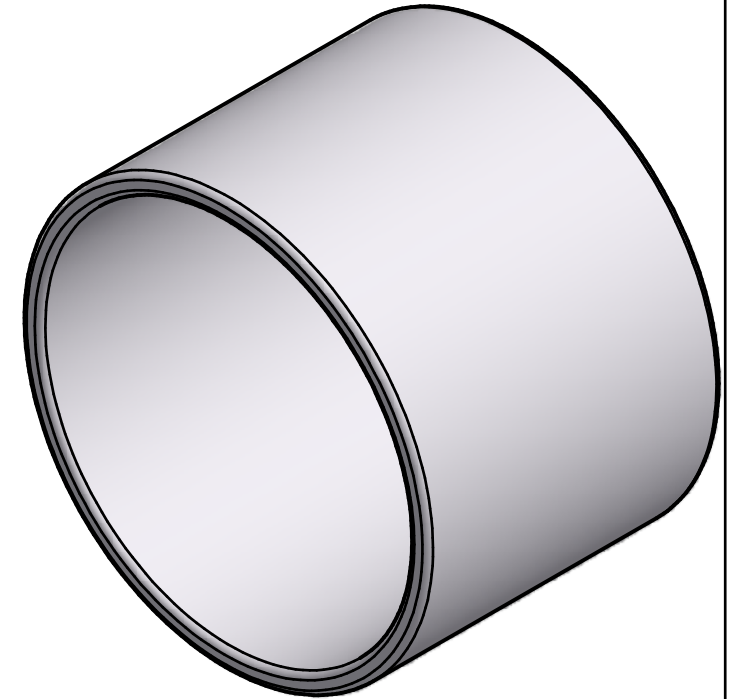
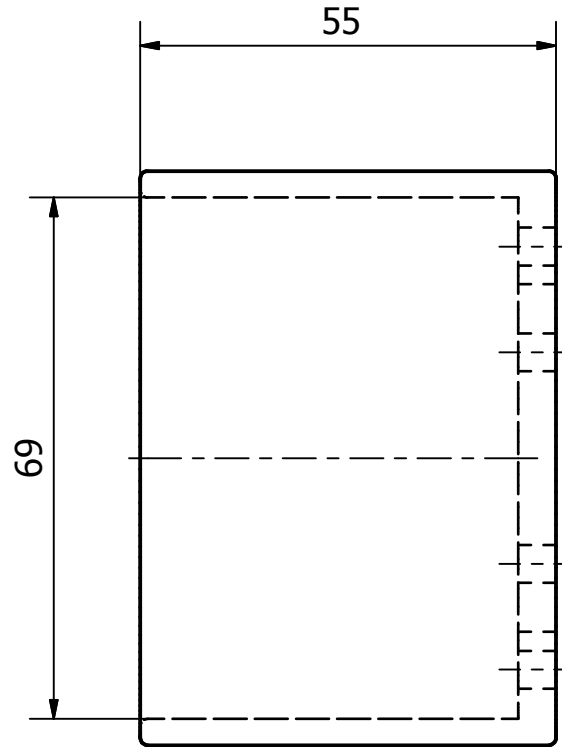
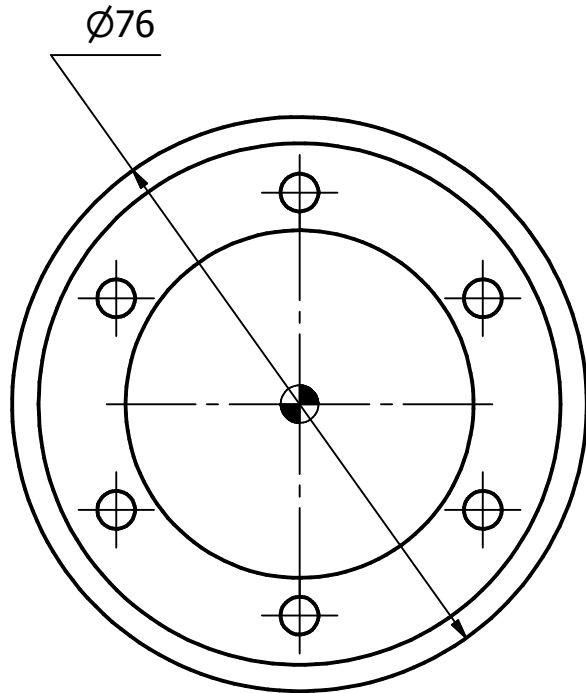


The interfit bracket system is designed to be able to cut down to the required pole length on-site, and then the system simply screws back together after the pole has been trimmed. But if you are not able to perform a neat right-angle cut on-site, you can utilise the deeper cut-down collar which will cover unsightly cutting and square up the pole in relation to the backplate.



At time of order please use correct code to receive correct colour

Silver P/N 1423000S  
 Black P/N 1423000B  
 White P/N 1423000W

 <small>www.screen technics.com.au</small> Ph: 612 4869 2100 Email: info@screen technics.com.au	Designed By Greg D	Cut-Down collar for Static Projector Mount		
	Approved By			
<small>The Concept, Design and Details in this drawing are the property of Screen Technics Pty Ltd with whom the copyright resides. They may not be reproduced without written permission of Screen Technics Pty Ltd.</small>	Date 27/06/2008	Part Number 1423000-	Rev	Sheet 1 / 1