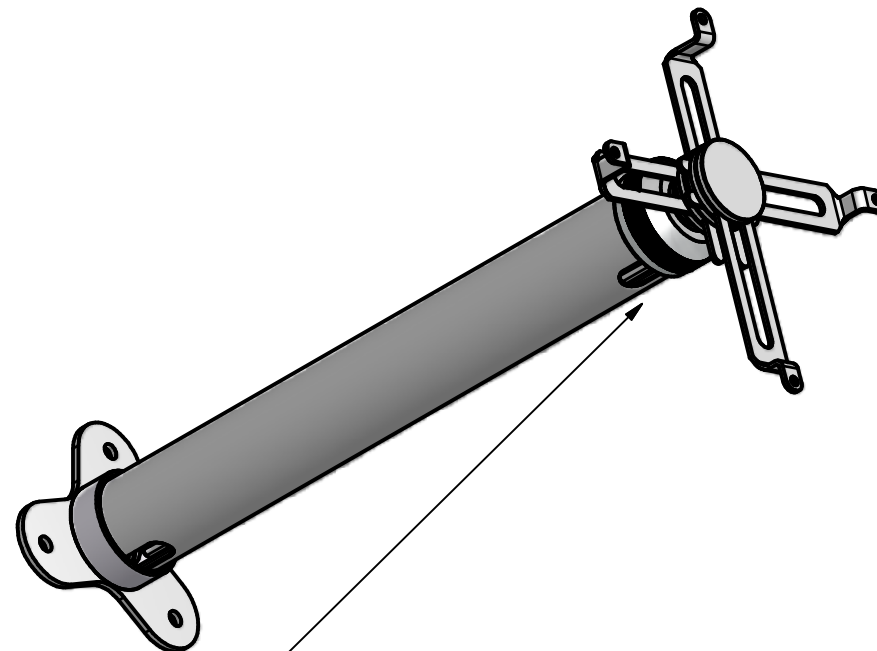
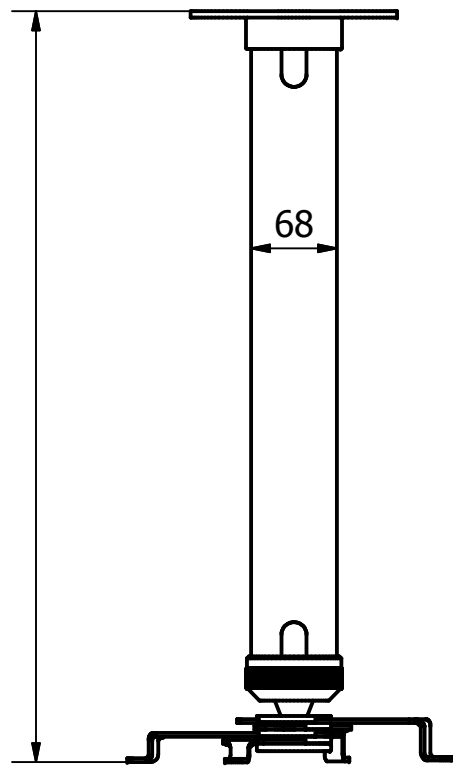


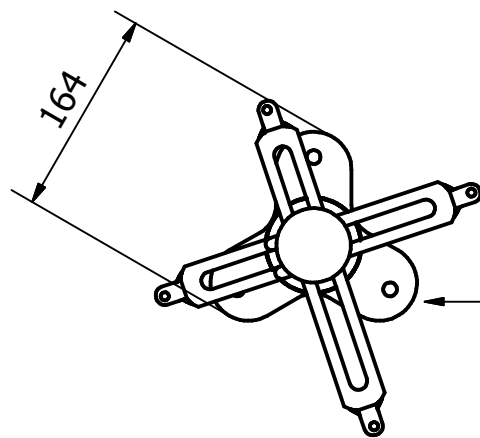
THIS SIZE IS AS PER PRICE LIST



FOR CABLE MANAGEMENT

ARMS ARE ADJUSTABLE TO SUIT PROJECTOR

Standard Arm reach is 140mm from centrepint(280mm diameter)  
 Extra long spider arms are available Part number 1422000 have a reach of 220mm from centre point (440mm diameter)  
 Please specify colour at time of order



3 OFF HOLES 11mm DIA

This projector bracket system has options available including Ceiling hole trim ring, Vertical surface mount bracket and Top ball joint assembly. Custom solutions also available

AVAILABLE IN BLACK, WHITE AND GREY  
 Maximium projector weight 25Kg

 www.screentechnics.com.au Ph: 612 4869 2100 Email: info@screentechnics.com.au	Designed By Greg D	Static Progetor Bracket		
	Approved By			
The Concept, Design and Details in this drawing are the property of Screen Technics Pty Ltd with whom the copyright resides. They may not be reproduced without written permission of Screen Technics Pty Ltd.	Date 2/07/2008	Part Number 142000-	Rev	Sheet 1 / 1