

Plasma Lift • Vertical Up



A contemporary solution to audio visual storage, the Interfit Plasma Lift is designed to raise and lower your Plasma screen from custom built cabinetry using a structurally rigid lineal bearing system to make your Plasma screen safe, secure and out of sight when not in use.

With slimline design and fail-safe mechanism to protect the user, combined with its integrated door opening solution, the Interfit Plasma Lift provides a simple modular approach to what was once a complicated installation.

Available in 4 sizes with 2 door opening options, a universal mounting bracket suitable for most flat panel designs, the Interfit Plasma Lift should be your lifter of choice.

Ultra safe design as the mechanism is not driven downwards, thus preventing any potential crush injuries.

Low profile mechanism ... internal cabinet height = panel height + 25mm!

BENEFITS

- Low Line Design
- Fail-Safe Mechanism
- Simple, Single Trade Installation
- Adjustable Travel

APPLICATIONS

- Home Theatre
- Boardroom Presentation
- Educational Facilities

FEATURES

Description: Floor Mounted Vertical Lifting Devices for Flat Panel Monitors.

Construction: Powder coated aluminium frame & mechanism - utilising lineal bearing arms for lift.

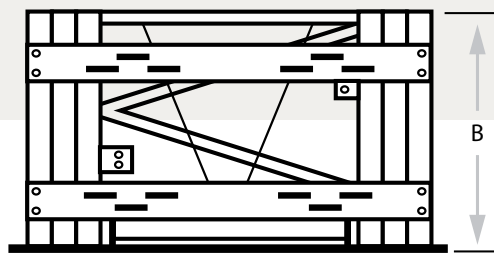
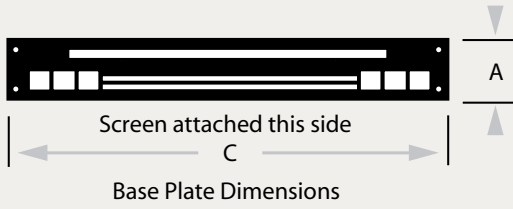
Features: Integrated door opening solution - low cabinet requirements - Fall Arrester System.

Installation: Sits on own platform with back brace brackets for security.

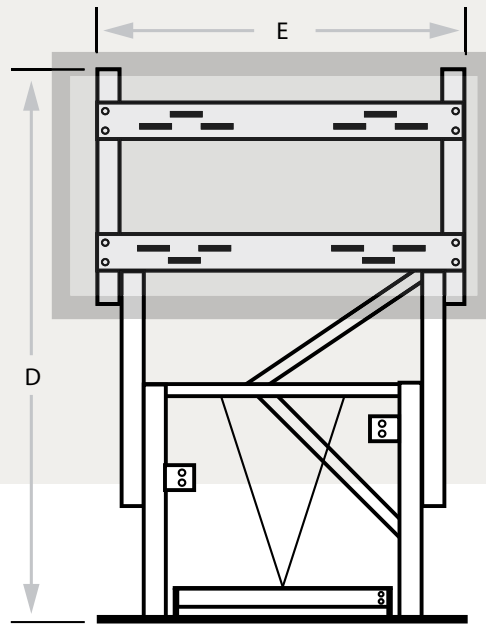
Sizes: 4 sizes available.

Options: Fixed lid top bracket.





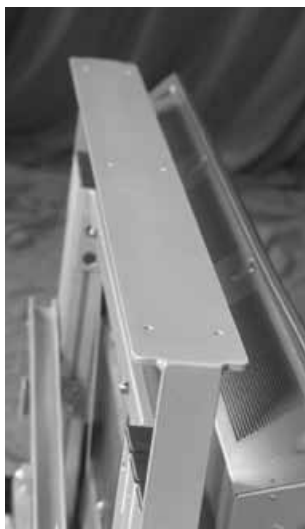
Front View (lowered)



Front View (raised)

Item No	Unit Dimensions (mm)					Panel Size Guide (only)	Unit Weight	Lifting Capacity
	C	A	B	D	E			
1461000	830	100	600	1570	750	32" to 37" Diagonal	18kg	45kg
1461150	930	100	600	1470	850	40" to 42" Diagonal	20kg	50kg
1461300	1040	100	680	1710	960	42" to 50" Diagonal	25kg	55kg
1461450	1230	100	780	2005	1150	50" to 55" Diagonal	30kg	55kg

Lift capacity includes door weight



All Units come with an Integrated Cabinet Door Opening Solution or as an Optional Extra can be ordered with a Fixed Lid Top Bracket.

Full technical drawings and installation instructions can be found on our web site.

